

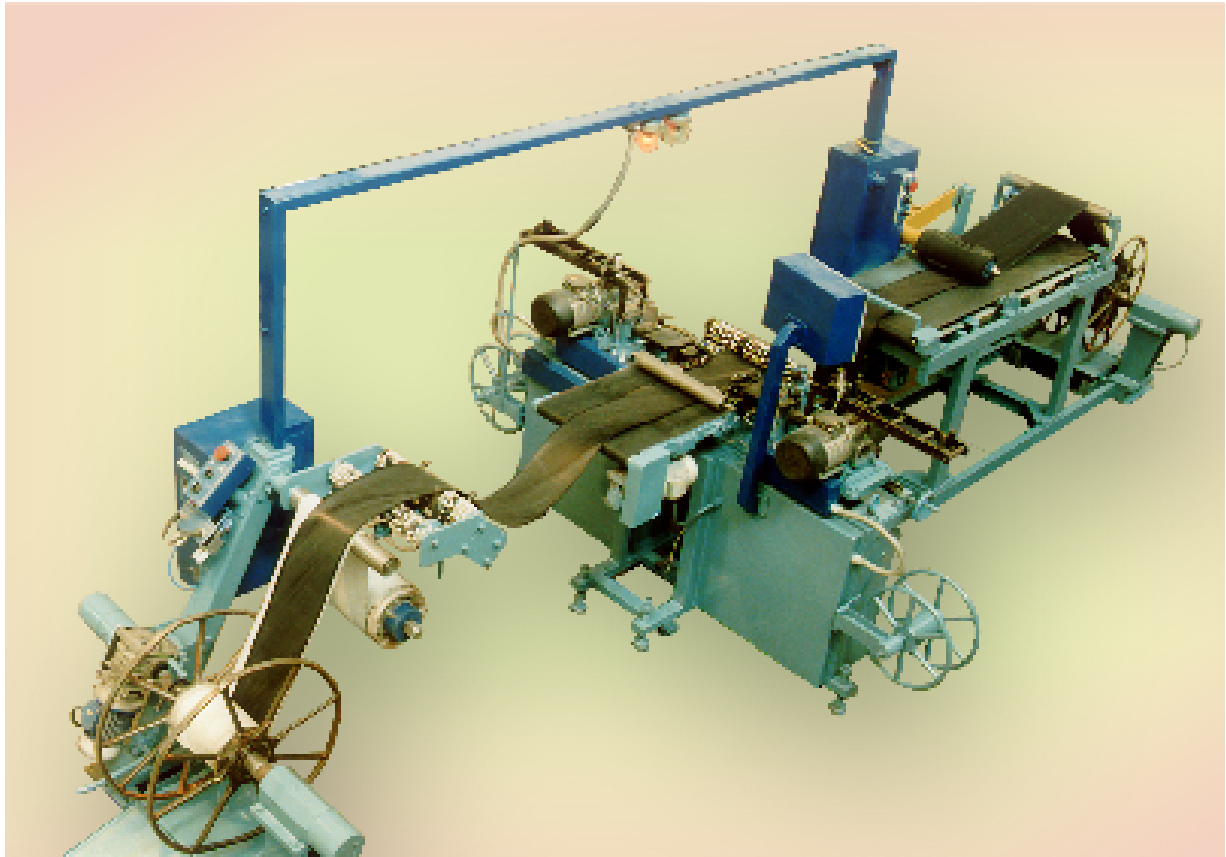


POLICON
Engineering & Manufacturing

***Steel cord breaker
insulation line***

Steel cord breaker insulation line

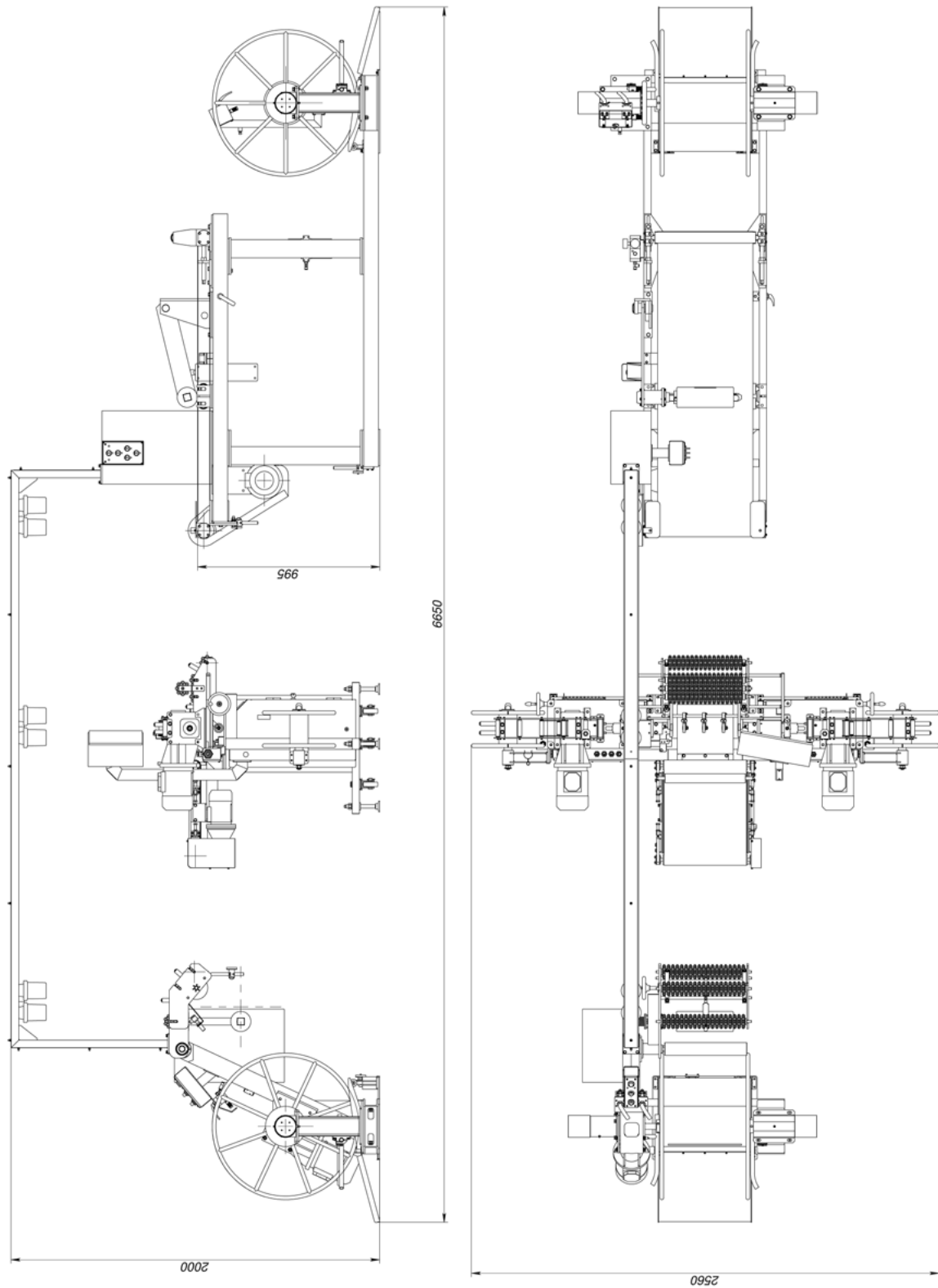
The insulation line of the steel cord breaker is designed for rolling, automated isolation of the edges of the metal cord breaker with a profiled rubber tape obtained by the extrusion method and rolling steel cord workpieces for radial truck tires.



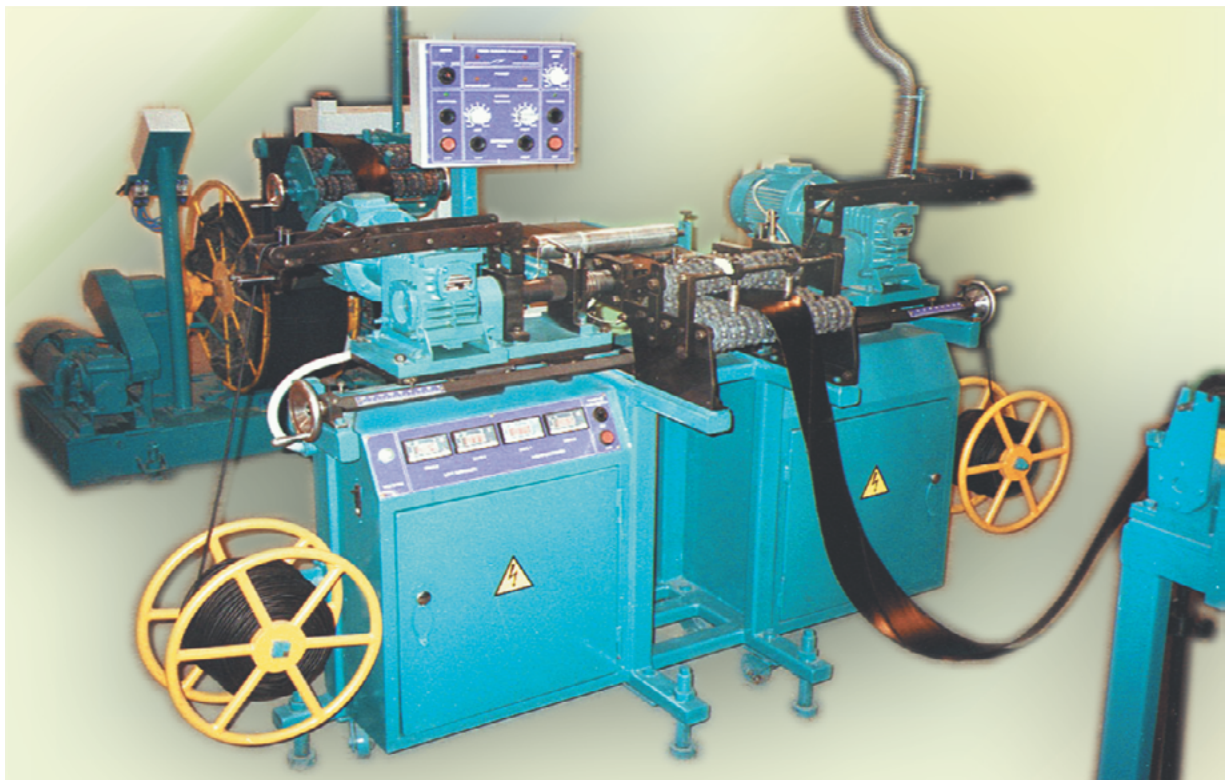
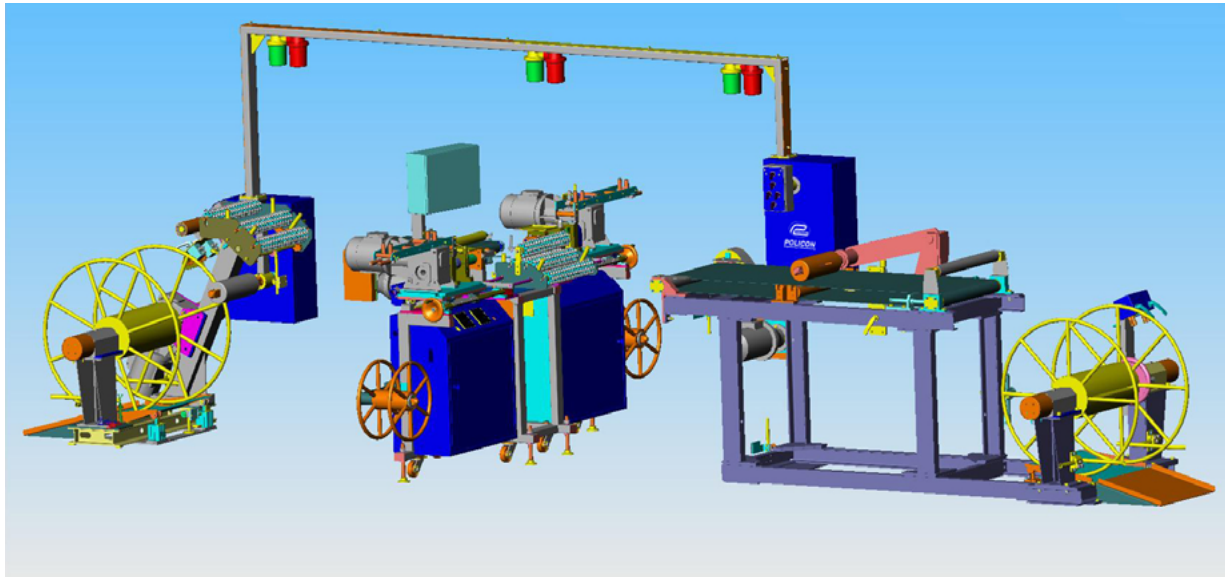
Features:

- Thermal management system.
- AC electric drive with frequency regulation.
- Low power consumption.
- Pneumatic equipment of firms FESTO, CAMOZZI, SMC, etc.
- Compact size.

Steel cord breaker insulation line



Steel cord breaker insulation line



Technical Specification:

| Line Model: | I-300 | I-400 | I-500 |
|---|-----------|-----------|-----------|
| Productivity, m / min, max | 20 | 20 | 20 |
| Width of insulated metal cord workpieces, mm | 50 - 310 | 50 - 400 | 100 - 500 |
| Air pressure in the system, MPa | 0,4 - 0,6 | 0,4 - 0,6 | 0,4 - 0,6 |
| Volumetric air flow in the pneumatic system, m ³ / hour, no more | 0,5 | 0,5 | 0,5 |
| Installed capacity of electrical equipment, kW | 4,65 | 5,45 | 6,5 |
| Rubber consumption for edge insulation, kg / h, max | 20 | 20 | 20 |
| Overall dimensions, mm, no more | | | |
| length | 6 500 | 6 500 | 7 000 |
| width..... | 2 540 | 2 800 | 2 800 |
| height | 1 750 | 1 750 | 1 750 |
| Weight, kg, no more | 1 300 | 1 300 | 1 400 |

This product can be manufactured according to the technical specifications of the customer, taking into account its predetermined parameters and features.

Full cycle engineering services

Food Machinery

Machinery for tires, rubber, plastics manufacturing

Machinery for the chemical and oil and gas industry

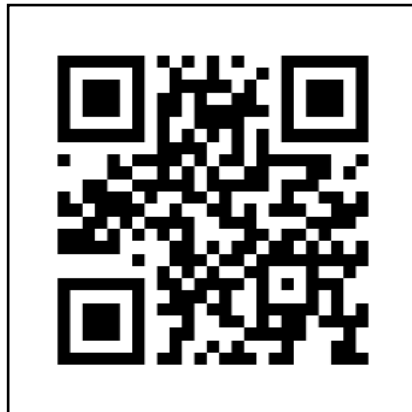
Machinery for the perfumery and cosmetic industry

Modernization and automation of production

Non-standart equipment

Production of spare parts, components, assemblies

Outsourcing services - repair and maintenance of equipment



Policon JSCo

194 Lermontov Str, Omsk 644009, Russia

Tel./Fax: +7 (3812) 36 74 12, 36 74 02, 48 48 30

e-mail: info@policon-rt.ru

www.policon-rt.ru